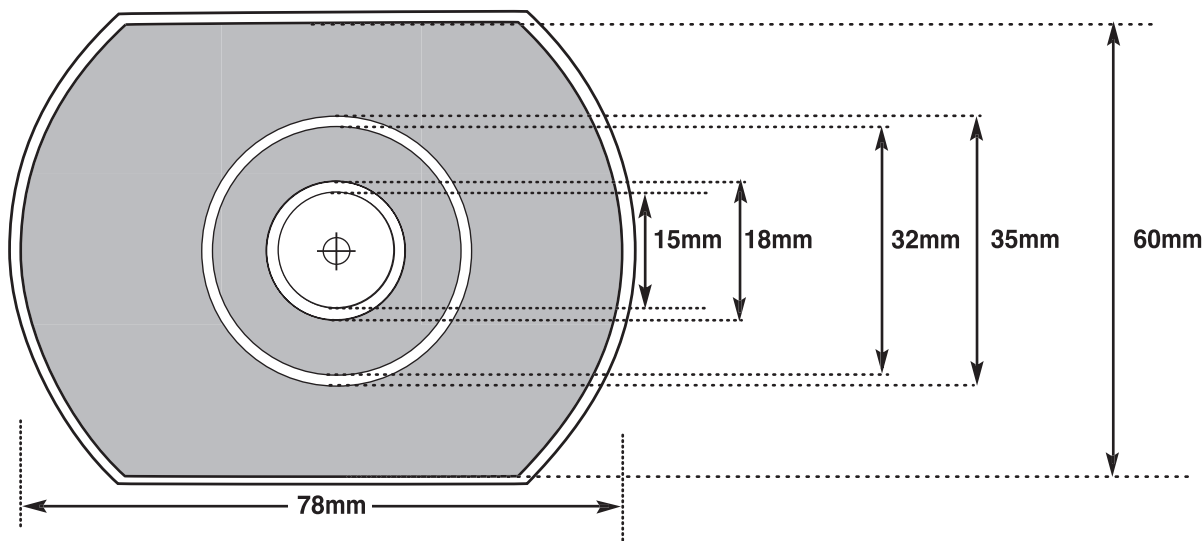


52MB RINK IT CARD



printable area

SPOT PRINTING - UP TO 5 COLOURS...

Film if Supplied :: Right Reading, Positive Emulsion UP
Recommended Minimum Type Size :: 5pt, 6pt for Reversed Type
Registration Marks :: Placed at least 5mm outside print area
Keylines :: Remove all Keylines

SPOT
SPOT
SPOT

HALF TONE PRINTING...

Screen Ruling :: 85/100 lines per inch
Dot Shape :: Elliptical
Dot Density Range :: 15% - 90%
Screen Angles :: 45° Monotone,
75° Duotone, 15° Tripletone

Solid areas where possible, need to be placed on separate film as the viscosity of the ink for half tone and solid areas is different.

HALF
HALF
HALF

PROCESS PRINTING...

Screen Ruling :: 100/110 or 133 lines per inch
Dot Shape :: Elliptical
Dot Density Range :: 12% - 90%
Screen Angles :: Cyan 75°, Magenta 45°
Yellow 0°, Black 15°

Avoid Printing Large Solid Areas when Using 4 Colour Process

PROCESS
PROCESS
PROCESS

Digital Formats...

Mac or PC eps files, Quark Xpress 4.1,
Illustrator eps, Photoshop jpeg or tiff files
are the preferred formats

0001
0001
0001

Saving your artwork...

Artwork should be supplied on
CD or Zip disk
Files can be supplied via e-mail
Attachments that are compressed using
Stuffit or Win zip which will
reduce the file size

0002
0002
0002

Before you send your file...

Check that all typefaces are included
with the document on the disc
Ensure all fonts within eps or pdf are
embedded or have been converted to paths
Include all graphics and images used
in the document
Use CMYK not LAB or RGB colour models

0003
0003
0003